

11000 SL automatic Art. 1786
15000 SL automatic Art. 1788

D **Gebrauchsanweisung**

Tauchpumpe

GB **Operating Instructions**

Submersible Pump

F **Mode d'emploi**

Pompe d'évacuation pour eaux claires

NL **Gebruiksaanwijzing**

Dompelpomp

S **Bruksanvisning**

Dränkbar pump

I **Istruzioni per l'uso**

Pompa sommersa

E **Manual de instrucciones**

Bomba sumergible

P **Instruções de utilização**

Bomba submersível

DK **Brugsanvisning**

Dykpumpe

GARDENA Submersible Pump

11000 SL automatic / 15000 SL automatic

Welcome to the garden of GARDENA ...



Please read these operating instructions carefully and observe the notes given. Use the instructions to familiarise yourself with the submersible pump, its correct use, and the notes on safety.



For safety reasons, children under 16 as well as persons not familiar with these operating instructions should not use this submersible pump.

→ Keep these operating instructions in a safe place.

Contents

1. Applications Range of Your GARDENA Submersible Pump ..	11
2. For Your Safety	12
3. Initial Operation	13
4. Operation	14
5. Cleaning	15
6. Trouble-Shooting	16
7. Storage	16
8. Technical Data	17
9. Service	18

1. Applications Range of Your GARDENA Submersible Pump

Intended use

GARDENA Submersible Pumps have been designed for private use around your house and garden. They are predominantly destined for drainage after flooding, transfer of liquids, draining containers, taking water from wells and shafts, draining boats and yachts as well as for water aeration and circulation for a limited period of time.

Liquids to be pumped

Liquids which can be handled by the GARDENA Pump are the following: clean and slightly contaminated water (max. particle size 5 mm), swimming pool water (prerequisite is the recommended dosage of additives) and soapy water.

The pump is fully submersible (waterproof sealed) and can be immersed in the liquid down to a depth of 9 m.

Please note



The GARDENA Submersible Pumps are not designed for continuous operation (e.g. continuous circulating operation) in a pond. Your pump's life will be shortened correspondingly by such operation.

Corrosive, easily combustible or explosive substances (e.g. gasoline, petroleum, nitro thinner), fats, oils, salt-water and waste water of toilets and urinals must not be pumped. The temperature of the liquid handled should not exceed 35 °C.

2. For Your Safety

Residual-current device

According to DIN VDE (German Electrical Engineers' Association) 0100, submersible pumps may only be used in swimming pools, garden ponds, and fountains if the pump is operated via a residual-current device with a residual-current rating of ≤ 30 mA. The pump must not be operated when there are persons in the swimming pool or garden pond.

For safety reasons we recommend that you always operate the submersible pump via a residual-current device (DIN VDE 0100-702 and 0100-738).

→ Please contact your electrician.

In Austria

In Austria, according to ÖVE B/EN 60 555 part 1 to 3, pumps which are used in swimming pools and garden ponds, and equipped with firm power cable should be fed via an ÖVE approved isolating transformer – rated voltage must not exceed 230 V.

In Switzerland

In Switzerland mobile appliances which are used outdoors, must be connected via a residual-current device.

Mains power

According to DIN VDE (German Electrical Engineers' Association) 0620, mains power cables must not have a smaller cross-section than the rubber-sheathed cables of the designation H07 RNF. The cable length must be at least 10 m.

Data indicated on the type plate must match technical data of the mains supply.

→ Take care that the electrical connections are made within dry area, protected from flooding.

Protect plug and power cable from heat, oil and sharp edges.

→ Don't use the power cable for plugging off.

The power cable or the float switch must not be used for mounting or relocating the pump. For submerging or lifting/securing the pump, fix a rope to the pump's carrying handle.

Extension cables must meet the requirements of DIN VDE 0620.

Visual check

→ Before operating the pump, first make a visual check, if there is any damage of the pump (esp. regarding power cable and plug).

→ Observe the minimum water level and the max. delivery height (see 8. Technical Data).

A damaged pump must not be used.

→ In case of damage, please have the pump checked by our GARDENA Service Centre.

Manual operation

During manual operation, the pump must be switched off as soon as all the liquid has been pumped away.

→ Observe the pump at all times during manual operation.

Notes on use

In **as-delivered condition**, the rotating feet are set to draining in the **flat position** (1 mm).

→ Turn the rotating feet by 180° to 5 mm for normal operation.
The pump is raised by 5 mm.

→ Clear the outlet line before use.

Dry-running operation causes increased wear and is to be avoided. Therefore, in manual operation the pump must be immediately unplugged when water fails to flow.

Avoid running of the pump for more than 10 min. against closed delivery side of the pump.

Sand and other abrasive substances cause increased wear and reduce the pump's output.

Take care that the pump is located where the inlet openings at the suction base are obstructed neither completely nor partly.

Stand the pump on a brick if using in a pond.

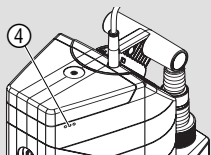
Thermal motor protector

The pump is automatically switched off on overheating by the built-in thermal motor protector. After having cooled down, the motor automatically switches on again (see 6. Trouble Shooting).

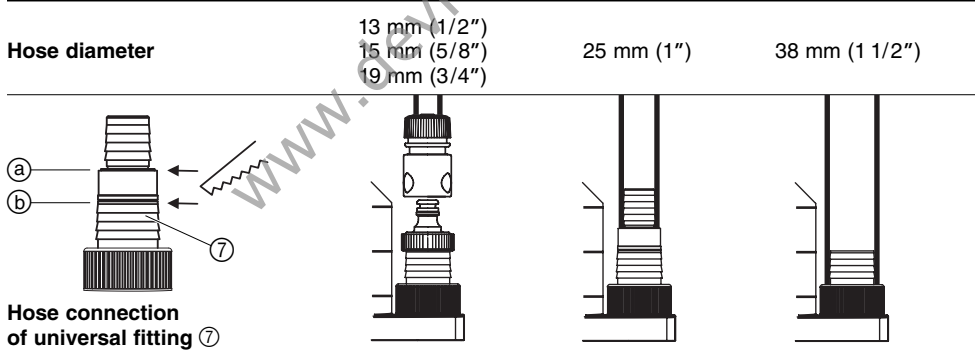
Automatic deaerating valve

The automatic deaerating valve eliminates any air pockets in the pump. During this process, air escapes through the vent bores ④ and air bubbles appear underwater. This is not a defect of your pump, but serves to deaerate the pump.

It may take several seconds for the air to escape when the pump is immersed for the first time.



3. Initial Operation

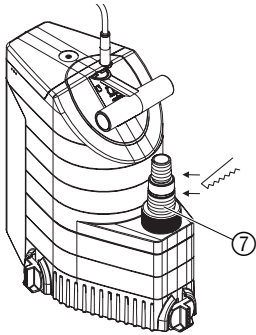


Hose connection	Cut off topmost nipple at ①.	Do not cut off any nipples.	Cut off top two nipples at ②.
-----------------	------------------------------	-----------------------------	-------------------------------

The following connection kits are required for 13 mm to 19 mm connections:
 13 mm (1/2"): **GARDENA Pump Connection Set, Art. No. 1750**
 15 mm (5/8"): **GARDENA Tap Connector, Art. No. (2)902, and Standard Hose Connector, Art. No. (2)916**
 19 mm (3/4"): **GARDENA Pump Connection Set, Art. No. 1752**

Best results in delivery capacity are achieved when using 38 mm (1 1/2") hoses.

Connecting the hose:



The universal fitting ⑦ allows you to connect all the hoses listed in the previous table.

1. Separate the nipple of the universal fitting ⑦ that you do not need according to the particular hose connection.
2. Screw the universal fitting ⑦ onto the pump.
3. Connect the hose to the universal fitting ⑦.

We recommend that you secure 38 mm (1 1/2") and 25 mm (1") hoses additionally with a **GARDENA Hose Clip Art. No. 1591**.

For flat suction we recommend using a 13 mm (1/2") or 15 mm (5/8") hose.

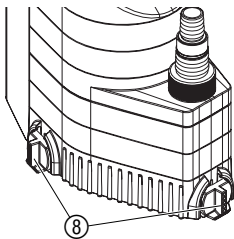
Only for 13 mm (1/2") hose:

The universal fitting ⑦ can also be equipped with a **GARDENA Regulator Valve Art. No. 977** so that the contents of the outlet line do not flow back through the pump after pumping. The Regulator Valve can be ordered from your GARDENA dealer.

4. Operation

→ If the water height is lower than 3.5 cm, fill the pump before operation over the universal fitting ⑦ with water.

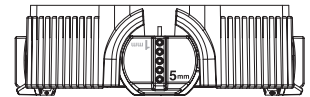
Flat suction / Normal operation:



Flat suction:

- Turn the 3 swivel feet ⑧ 180° to 1 mm.
Flat suction up to 1 mm.

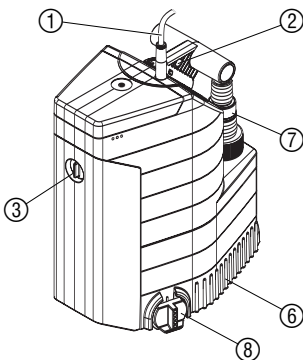
Normal operation:



- Turn the 3 swivel feet ⑧ 180° to 5 mm.
Flat suction up to 5 mm.

The residual water level of approx. 1 mm is only reached during flat suction in the manual operation mode. If the water level is lower than 25 mm, you can accelerate flat suction by switching the pump off and on 2 to 3 times.

Automatic operation:



The integral float turns the pump on automatically when the water level exceeds the cut-in height and the water is pumped out.

The integral float turns the pump off again as soon as the water level falls below the cut-out height.

1. Turn knob ③ to **AUTO**.
2. Stand the pump on a firm surface

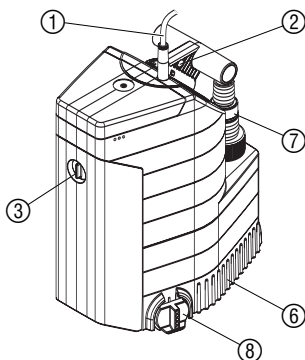
– or –

use a rope attached through the bore hole in the carrying handle ② to immerse the pump in a well or shaft.

The pump must be upright so that the integral float switch can move freely in automatic operation.

3. Plug the power cable ① into a mains socket.

Manual operation:



The pump continues to operate regardless of the water level when in manual operation mode.

1. Turn knob ③ to **MAN**.
2. Stand the pump on a firm surface
 – or –
 use a rope attached through the bore hole in the carrying handle ② to immerse the pump in a well or shaft.
3. Plug the power cable ① into a mains socket.

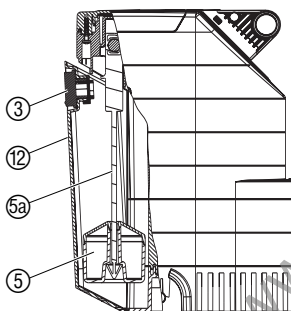
5. Cleaning

Flushing the Pump:

The pumps are virtually maintenance-free.

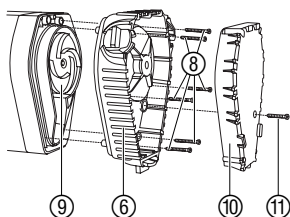
After having pumped chlorinated swimming pool water or other liquids leaving residues, the pump should be rinsed with clear water.

Clean float switch:



1. Turn knob ③ to **OPEN**.
2. Remove float switch cover ⑫.
3. Clean float switch ⑤/⑤a.

Cleaning the suction base and impeller:



Warning! Electric shock!

Risk of injury due to electric shock.

→ Disconnect the submersible pump from the mains before cleaning the suction base and impeller.

1. Unscrew the Phillips screw ⑪ and pull the suction base cover ⑩ off the suction base ⑥.
2. Unscrew the 6 Phillips screws ⑧ and pull the suction base ⑥ off the pump.
3. Clean the suction base cover ⑩, suction base ⑥ and impeller ⑨.
4. Reinstall the suction base ⑥ and screw in the Phillips screws ⑧.

Tip: It is often sufficient to simply remove the suction base cover ⑩ and clean the suction base cover ⑩ and suction base ⑥.

For safety reasons a damaged impeller ⑨ can only be exchanged by the GARDENA Service Centre.

6. Trouble-Shooting

Problem	Probable cause	Remedy
Pump is running, but doesn't deliver.	Air cannot escape, since pressure line is closed.	→ Open pressure line (e.g. kinked pressure pipe).
	Air locks in the suction base.	→ Wait for max. 3 minutes until the pump deaerates automatically over the vent valve. If necessary, switch off and start it again.
	Impeller clogged.	→ Disconnect plug and clean impeller (see 5. Cleaning).
	When starting the pump, water height falls below the min. water level.	→ Fill the pump over the universal fitting ⑦ with water.
Pump doesn't start or suddenly stops during	Thermal overload switch has switched the pump off due to overheating.	→ Disconnect plug and clean impeller (see 5. Cleaning). Observe max. media temperature of 35 °C.
	No power.	→ Check fuses and electric connections.
	Dirt particles are jammed in the suction base.	→ Disconnect plug and clean suction base (see 5. Cleaning).
Pump runs, but output suddenly decreases.	Suction base is clogged.	→ Disconnect plug and clean suction base (see 5. Cleaning).
Pump does not reach residual water height of 1 mm during flat suction.	The suction base cover ⑩ is missing in the suction base.	→ Disconnect plug and install the suction base cover ⑩ (see 5. Cleaning).
Pump does not switch on or off automatically when set to automatic operation.	The pump is not upright.	→ Place pump in an upright position.
	The integral float switch ⑤ is sticking.	→ Clean float switch (see 5. Cleaning).



Attention!

Repairs on electrical parts should only be done by our GARDENA Service Centres.

If you have any problems with your Pump, please contact our Service.

7. Storage

Frost-free storage

Store the pump away from frost before the first frost sets in.

Disposal:

(in accordance with
RL 2002/96/EC)



The device must not be added to the normal household waste, it must be disposed of in accordance with local regulations.

8. Technical Data

Type	11000 SL automatic (Art. 1786)	15000 SL automatic (Art. 1788)
Rated power	550 W	750 W
Max. delivery capacity	11,000 l/h	15,000 l/h
Max. pressure	0.8 bar	0.9 bar
Max. delivery height	8 m	9 m
Max. submersion depth	9 m	9 m
Flat suction down to approx.	1 mm	1 mm
Contaminated water with particle size of max.	5 mm	5 mm
Power cable	10 m H07 RNF	10 m H07 RNF
Pump connection	38 mm (1 1/2") / 25 mm (1") graduated nipple, option GARDENA Water hose Plug-in-system	
Min. water level for operation	35 mm	35 mm
Weight approx.	7 kg	7 kg
Max. media temperature	35 °C	35 °C
Mains voltage / mains frequency	230 V / 50 Hz	230 V / 50 Hz
Cut-in height	185 mm	185 mm
Cut-out height	55 mm	55 mm
Noise level $L_{WA}^{1)}$	48 dB(A)	50 dB(A)

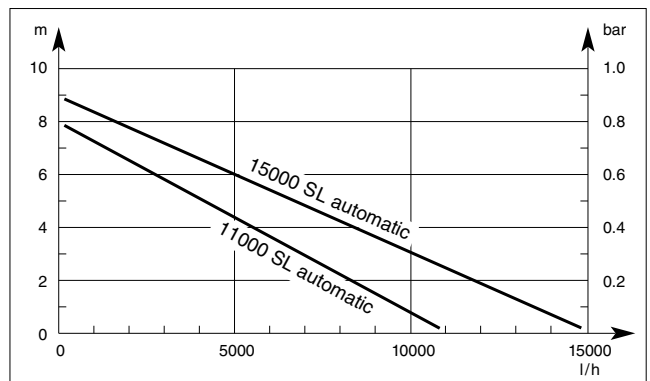
1) Measuring method according to EN 60335-1

Cut-in / Cut-out height

The cut-in and cut-out height varies.

The residual water height (flat suction down to approx. 1 mm) is only reached during manual operation with the swivel feet ③ turned to 1 mm (see 4. Operation).

Performance characteristics



9. Service

Warranty

GARDENA guarantees this product for 2 years (from date of purchase). This guarantee covers all serious defects of the unit that can be proved to be material or manufacturing faults. Under warranty we will either replace the unit or repair it free of charge if the following conditions apply:

- The unit must have been handled properly and in keeping with the requirements of the operating instructions.
- Neither the purchaser or a non-authorised third party have attempted to repair the unit.

The impeller is a wearing part and is not covered by the guarantee..

This manufacturer's guarantee does not affect the user's existing warranty claims against the dealer/seller.

If you have any problems with your pump, please contact our Customer Service or return the defective unit together with a short description of the problem directly to one of the GARDENA Service Centres listed on the back of this leaflet.

Product Liability

We expressly point out that, in accordance with the product liability law, we are not liable for any damage caused by our units if it is due to improper repair or if parts exchanged are not original GARDENA parts or parts approved by us, and, if the repairs were not carried out by a GARDENA Service Centre or an authorised specialist. The same applies to spare parts and accessories.

EU Certificate of Conformity

The undersigned

GARDENA Manufacturing GmbH · Hans-Lorensen-Str. 40 · D-89079 Ulm

hereby certifies that, when leaving our factory, the units indicated below are in accordance with the harmonised EU guidelines, EU standards of safety and product specific standards.

This certificate becomes void if the units are modified without our approval.

Description of the units:	Submersible Pump
Types:	11000 SL automatic / 15000 SL automatic
Art. No.:	1786 / 1788
EU directives:	Machinery Directive 98/37/EC Electromagnetic Compatibility 89/336/EC Low Voltage Directive 73/23/EC Directive 93/68/EC

Harmonised

European standards:	EN 292-1 EN 292-2 EN 60335-1 EN 60335-2-41
----------------------------	---

Year of CE marking:	2001
----------------------------	------

Ulm, 29.05.2001



Thomas Heintl
Technical Dept. Manager

Deutschland / Germany

GARDENA
Manufacturing GmbH
Service Center
Hans-Lorenser-Straße 40
D-89079 Ulm
Produktfragen:
(+49) 731 490-123
Reparaturen:
(+49) 731 490-290
service@gardena.com

Argentina

Argensem® S.A.
Calle Colonia Japonesa s/n
(1625) Loma Verde
Escobar, Buenos Aires
Phone: (+54) 34 88 49 40 40
info@argensem.com.ar

Australia

Nylex Consumer Products
50-70 Stanley Drive
Somerton, Victoria, 3062
Phone: (+61) 1800 658 276
spare.parts@nylex.com.au

Austria / Österreich

GARDENA
Österreich Ges.m.b.H.
Stettnerweg 11-15
2100 Korneuburg
Tel.: (+43) 22 62 7 45 45 36
kundendienst@gardena.at

Belgium

GARDENA Belgium NV/SA
Sterrebeekstraat 163
1930 Zaventem
Phone: (+32) 2 7 20 92 12
Mail: info@gardena.be

Brazil

Palash Comércio e
Importação Ltda.
Rua Américo Brasiliense,
2414 - Chácara Sto Antonio
São Paulo - SP - Brasil -
CEP 04715-005
Phone: (+55) 11 5181-0909
eduardo@palash.com.br

Bulgaria

DENEX LTD.
2 Luis Ahalier Str. - 7th floor
Sofia 1404
Phone: (+359) 2 958 18 21
office@denex-bg.com

Canada

GARDENA Canada Ltd.
100 Summerlea Road
Brampton, Ontario L6T 4X3
Phone: (+1) 905 792 93 30
info@gardenacanada.com

Chile

Antonio Martinic y Cia Ltda.
Cassillas 272
Centro de Cassillas
Santiago de Chile
Phone: (+56) 2 20 10 708
garfar_cl@yahoo.com

Costa Rica

Compania Exim
Euroberoamericana S.A.
Los Colegios, Moravia,
200 metros al Sur del Colegio
Saint Francis - San José
Phone: (+506) 297 68 83
exim_euro@racsa.co.cr

Croatia

KLIS d.o.o.
Stanciceva 79
10419 Vukovina
Phone: (+385) 1 622 777 0
gardena@klis-trgovina.hr

Cyprus

FARMOKIPIKI LTD
P.O. Box 7098
74, Digeni Akritra Ave.
1641 Nicosia
Phone: (+357) 22 75 47 62
condam@spidernet.com.cy

Czech Republic

GARDENA spol. s r.o.
Řípská 20a, č.p. 1153
627 00 Brno
Phone: (+420) 800 100 425
gardena@gardenabrnmo.cz

Denmark

GARDENA Norden AB
Salgsafdeling Danmark
Box 9003
S-200 39 Malmö
info@gardena.dk

Finland

Habitec Oy
Martinkyläntie 52
01720 Vantaa

France

GARDENA
PARIS NORD 2
69, rue de la Belle Etoile
BP 57080
ROISSY EN FRANCE
95948 ROISSY CDG CEDEX
Tél. (+33) 0826 101 455
service.consommateurs@
gardena.fr

Great Britain

GARDENA UK Ltd.
27-28 Brenkley Way
Bleazard Business Park
Seaton Burn
Newcastle upon Tyne
NE13 6DS
info@gardena.co.uk

Greece

Agrokip
Psomadopoulos S.A.
Ifaistou 33A
Industrial Area Koropi
194 00 Athens Greece
V.A.T. EL093474846
Phone: (+30) 210 66 20 225
service@agrokip.gr

Hungary

GARDENA
Magyarország Kft.
Késmárk utca 22
1158 Budapest
Phone: (+36) 80 20 40 33
gardena@gardena.hu

Iceland

Ó. Johnson & Kaaber
Tunguhalsi 1
110 Reykjavik
oaj@ojk.is

Ireland

Michael McLoughlin & Sons
Hardware Limited
Long Mile Road
Dublin 12

Italy

GARDENA Italia S.p.A.
Via Donizetti 22
20020 Lainate (Mi)
Phone: (+39) 02.93.94.79.1
info@gardenaitalia.it

Japan

KAKUICHI Co. Ltd.
Sumitomo Realty &
Development Kojimachi
BLDG., 8F
5-1 Nibannayo, Chiyoda-ku
Tokyo 102-0084
Phone: (+81) 33 264 4721
m_ishihara@kaku-ichi.co.jp

Luxembourg

Magasins Jules Neuberg
Grand Rue 30
Boîte postale 12
L-2010 Luxembourg
Phone: (+352) 40 14 01
info@neuberg.lu

Netherlands

GARDENA Nederland B.V.
Postbus 50176
1305 AD ALMERE
Phone: (+31) 36 521 00 00
info@gardena.nl

Neth. Antilles

Jonka Enterprises N.V.
Sta. Rosa Weg 196
P.O. Box 8200
Curaçao
Phone: (+599) 9 767 66 55
pgm@jonka.com

New Zealand

NYLEX New Zealand Limited
Building 2, 118 Savill Drive
Mangere, Auckland
Phone: (+64) 9 270 1806
lena.chapman@nylex.com.au

Norway

GARDENA Norden AB
Salgskontor Norge
Karihaugveien 89
1086 Oslo
info@gardena.no

Poland

GARDENA Polska Sp. z o.o.
Szymanów 9 d
05-532 Baniocza
Phone: (+48) 22 727 56 90
gardena@gardena.pl

Portugal

GARDENA Portugal Lda.
Recta da Granja do Marquês
Edif. GARDENA Algueirão
2725-596 Mem Martins
Phone: (+351) 21 922 85 30
info@gardena.pt

Romania

MADEX INTERNATIONAL SRL
Soseaua Odaii 117-123,
Sector 1,
București, RO 013603
Phone: (+40) 21 352 76 03
madex@ines.ro

Russia / Россия

АО АМИДА ТТЦ
ул. Мосфильмовская 66
117330 Москва
Phone: (+7) 095 956 99 00
amida@col.ru

Singapore

Hy - Ray PRIVATE LIMITED
40 Jalan Pemimpin
#02-08 Tat Ann Building
Singapore 577185
Phone: (+65) 6253 2277
hyray@singnet.com.sg

Slovak Republic

GARDENA Slovensko, s.r.o.
Panónska cesta 17
851 04 Bratislava
Phone: (+421) 263 453 722
info@gardena.sk

Slovenia

Silk d.o.o.
Brodišče 15
1236 Trzin
Phone: (+386) 1 580 93 00
gardena@silk.si

South Africa

GARDENA
South Africa (Pty.) Ltd.
P.O. Box 11534
Vorna Valley 1686
Phone: (+27) 11 315 02 23
sales@gardena.co.za

Spain

GARDENA IBÉRICA S.L.U.
C/ Basauri, nº 6
La Florida
28023 Madrid
Phone: (+34) 91 708 05 00
atencioncliente@gardena.es

Sweden

GARDENA Norden AB
Försäljningskontor Sverige
Box 9003
200 39 Malmö
info@gardena.se

Switzerland / Schweiz

GARDENA (Schweiz) AG
Bitzberg 1
1814 Bachenbülach
Phone: (+41) 848 800 464
info@gardena.ch

Turkey

GARDENA / Dost Diş Ticaret
Mümesillik A.Ş. Sanayi
Çad. Adil Sokak No. 1
Kartal - İstanbul
Phone: (+90) 216 38 93 939
info@gardena-dost.com.tr

Ukraine / Украина

ALTEST JSC
4 Petropavlivska Street
Petropavlivska
Borschahivka Town
Kyivo Svyatoslyn Region
08130, Ukraine
Phone: (+380) 44 459 57 03
upyr@altsest.kiev.ua

USA

Melnor Inc.
3085 Shawnee Drive
Winchester, VA 22604
Phone: (+1) 540 722-9080
service_us@melnor.com

1786-20.960.06/0706

© GARDENA

Manufacturing GmbH

D-89070 Ulm

http://www.gardena.com