

9000 aquasensor Art. 1783  
13000 aquasensor Art. 1785

8500 aquasensor Art. 1797  
13000 aquasensor Art. 1799

**D Betriebsanleitung**  
Tauchpumpe / Schmutzwasserpumpe

**GB Operating Instructions**  
Submersible Pump / Dirty Water Pump

**F Mode d'emploi**  
Pompe d'évacuation pour eaux claires /  
Pompe d'évacuation pour eaux chargées

**NL Instructies voor gebruik**  
Dompelpomp / Vuilwaterpomp

**S Bruksanvisning**  
Dränkbar pump / Spillvattenpump

**I Istruzioni per l'uso**  
Pompa sommersa / Pompa sommersa per acqua sporca

**E Manual de instrucciones**  
Bomba sumergible / Bomba para aguas sucias

**P Instruções de utilização**  
Bomba submersível / Bomba para águas sujas

**DK Brugsanvisning**  
Dykpumpe / Dykpumpe til urent vand

# GARDENA

## Submersible Pump 9000 / 13000 aquasensor / Dirty Water Pump 8500 / 13000 aquasensor

Welcome to the garden of GARDENA ...



Translation of the original instructions from German.

Please read these operating instructions carefully and observe the notes given. Use the instructions to familiarise yourself with the pump, its correct use, and the notes on safety.



For safety reasons, children under 16 as well as persons not familiar with these operating instructions should not use this pump.

→ Keep these operating instructions in a safe place.

### Contents

|  |    |
|--|----|
| 1. Applications Range of Your GARDENA Pump ..... | 11 |
| 2. Safety Instructions .....                     | 12 |
| 3. Initial Operation .....                       | 13 |
| 4. Operation .....                               | 14 |
| 5. Putting into Storage .....                    | 15 |
| 6. Maintenance .....                             | 16 |
| 7. Troubleshooting .....                         | 16 |
| 8. Technical Data .....                          | 17 |
| 9. Service / Warranty .....                      | 18 |

## 1. Applications Range of Your GARDENA Pump

### Intended use

GARDENA Pumps have been designed for private use around your house and garden. They are predominantly destined for drainage after flooding, transfer of liquids, draining containers, taking water from wells and shafts, draining boats and yachts as well as for water aeration and circulation for a limited period of time.

### Liquids to be pumped

Liquids which can be handled by the GARDENA Pump are the following: clean and contaminated water (max. particle size submersible pumps = 5 mm / dirty water pumps = 30 mm), swimming pool water (prerequisite is the recommended dosage of additives) and soapy water. So that the pump turns off safely when pumping waste water from washing machines, the off sensor must be at least 10 mm from the floor.

The pumps are fully submersible (waterproof sealed) and can be immersed in the liquid down to a depth of 8 m.

### Please note



**GARDENA Pumps are not designed for continuous operation (e.g. continuous circulating operation) in a pond. Your pump's life will be shortened correspondingly by such operation. Corrosive, easily combustible or explosive substances (e.g. gasoline, petroleum, nitro thinner), fats, oils, saltwater and waste water of toilets and urinals must not be pumped. The temperature of the liquid handled should not exceed 35 °C.**

## 2. Safety Instructions

### Electrical Safety

According to DIN VDE (German Electrical Engineers' Association) 0100, submersible pumps and dirty water pumps may only be used in swimming pools, garden ponds, and fountains if the pump is operated via a residual-current device with a residual-current rating of  $\leq 30$  mA.

The pump must not be operated when there are persons in the swimming pool or garden pond.

For safety reasons we recommend that you always operate the pump via a residual-current device (DIN VDE 0100-702 and 0100-738).

→ Please contact your electrician.

According to DIN VDE (German Electrical Engineers' Association) 0620, mains power cables must not have a smaller cross-section than the rubber-sheathed cables of the designation H05 RNF H05 RNF (for Art. Nos. 1783 / 1797) or H07 RNF (for Art. Nos. 1785 / 1799).

The cable length must be at least 10 m.

Data indicated on the type plate must match technical data of the mains supply.

→ Take care that the electrical connections are made within dry area, protected from flooding.

→ Keep mains plug dry.

Protect plug and power cable from heat, oil and sharp edges.



**DANGER ! Electric shock !**

With a cut off mains plug, moisture can get into electrical parts via the mains cable and cause a short circuit.

→ **Never cut the mains plug off (e.g. to feed through wall).**

→ Don't use the power cable for plugging off.

The power cable or the float switch must not be used for mounting or relocating the pump. For submerging or lifting/securing the pump, fix a rope to the pump's carrying handle.

Extension cables must meet the requirements of DIN VDE 0620.

### In Austria

In Austria, according to ÖVE B/EN 60 555 part 1 to 3, pumps which are used in swimming pools and garden ponds, and equipped with firm power cable should be fed via an ÖVE approved isolating transformer – rated voltage must not exceed 230 V.

### In Switzerland

In Switzerland mobile appliances which are used outdoors, must be connected via a residual-current device.

### Visual check

- Before operating the pump, first make a visual check, if there is any damage of the pump (esp. regarding power cable and plug).
- Observe the minimum water level and the max. delivery height (see 8. Technical Data).



**DANGER ! Electric shock !**

### A damaged pump must not be used.

- In case of damage, please have the pump checked by our GARDENA Service Centre.

### Manual operation

During manual operation, the pump must be switched off as soon as all the liquid has been pumped away.

- Observe the pump at all times during manual operation.

### Notes on use

Dry-running operation causes increased wear and is to be avoided. Therefore, in manual operation the pump must be immediately unplugged when water fails to flow.

Avoid running of the pump for more than 10 min. against closed delivery side of the pump.

Sand and other abrasive substances cause increased wear and reduce the pump's output.

Take care that the pump is located where the inlet openings at the suction base are obstructed neither completely nor partly.

Stand the pump on a brick if using in a pond.

**Instructions for submersible pumps**

**When you purchase** your pump the swivel feet are set to the **flat suction position** (1 mm).

→ For normal operation, turn the feet 180° to 5 mm.

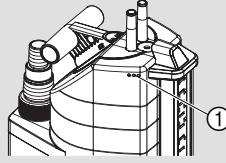
*The pump is lifted 5 mm.*

→ Clear the outlet line before use.

**Thermal protection switch**

The pump is automatically switched off on overheating by the built-in thermal motor protector. After having cooled down, the motor automatically switches on again (see 7. Troubleshooting).

**Automatic deaerating valve**



The automatic deaerating valve eliminates any air pockets in the pump.

If the pump is half submersed, water may come out of the ventilation holes ①.

This is not a defect of your pump, but serves to deaerate the pump.

**3. Initial Operation**

| Hose diameter                                 | 13 mm (1/2")<br>16 mm (5/8")<br>19 mm (3/4") | 25 mm (1") | 38 mm (1 1/2") |
|---|--|------------|----------------|
| <p>Hose connection of universal fitting ②</p> |  |            |                |

|                        |                              |                             |                               |
|------------------------|------------------------------|-----------------------------|-------------------------------|
| <b>Hose connection</b> | Cut off topmost nipple at ①. | Do not cut off any nipples. | Cut off top two nipples at ②. |
|------------------------|------------------------------|-----------------------------|-------------------------------|

**The following connection kits are required for 13 mm to 19 mm connections:**

13 mm (1/2"): GARDENA Pump Connection Set, Art. No. 1750

16 mm (5/8"): GARDENA Tap Connector, Art. No. (2)902, **and** GARDENA Standard Hose Connector, Art. No. (2)916

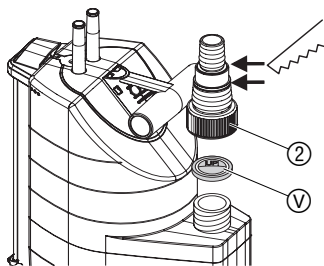
19 mm (3/4"): GARDENA Pump Connection Set, Art. No. 1752

Best results in delivery capacity are achieved when using 38 mm (1 1/2") hoses.

**Connecting the hose:**

The universal fitting ② allows you to connect all the hoses listed in the previous table.

1. Cut off nipples of the universal fitting ②, which are not needed, to match the hose connection.



2. **Only for the submersible pumps Art. No. 1783 / 1785:**  
Insert the non-return valve (V) supplied into the universal connector (2) with the word UP pointing upwards.
3. Screw the universal fitting (2) onto the pump.
4. Connect the hose to the universal fitting (2).

We recommend 38 mm (1 1/2") 25 mm (1") hoses, in addition to be fixed with a **GARDENA Hose Clamps Art. No. 7192** (for 25 mm) and **Art. No. 7193** (for 38 mm).

#### **Only for the submersible pumps Art. No. 1783 / 1785:**

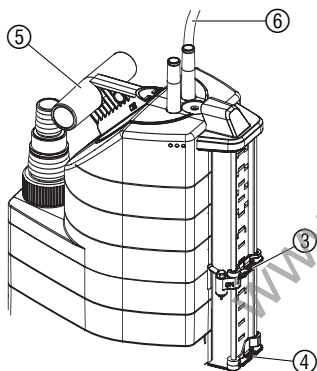
For flat suction we recommend using a 13 mm (1/2") or 16 mm (5/8") hose. The non-return valve (V) prevents the water flowing back through the hose. The max. delivery height will only be achieved without the non-return valve.

#### **Only for 13 mm (1/2") hose:**

The universal fitting (2) can also be equipped with a **GARDENA Regulator Valve Art. No. 977** so that the contents of the outlet line do not flow back through the pump after pumping. The Regulator Valve can be ordered from your GARDENA dealer.

## 4. Operation

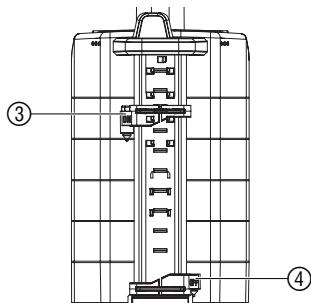
### **Automatic operation:**



If the water level reaches the **ON** sensor (3), the pump automatically switches on and the water is pumped off. As soon as the water level falls below the **OFF** sensor (4), the pump is automatically switched off (the pump continues to run for approx. 10 seconds).

1. Stand the pump on a firm surface  
– or –  
use a rope attached through the bore hole in the carrying handle (5) to immerse the pump in a well or shaft.
2. Plug the power cable (6) into a mains socket.

### **Adjust switch-on and switch-off height:**



The switch-on and switch-off height (see 8. Technical Data) can be adjusted for automatic mode. The relevant sensor pin defines the height of the water level.

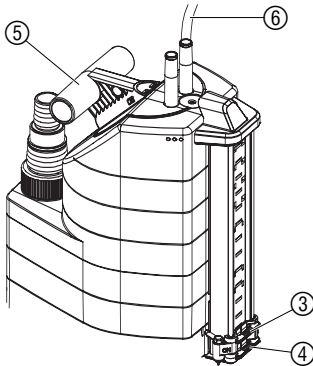
#### **Set switch-on height ON:**

- Push **ON** sensor (3) to the required switch-on height.  
*Switch-on height of the pump in automatic mode.*

#### **Set switch-off height OFF:**

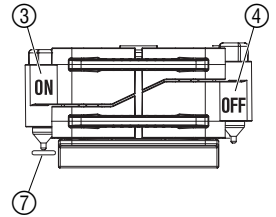
- Push **OFF** sensor (4) to the required switch-off height.  
*Switch-off height of the pump in automatic mode.*

### Manual operation:

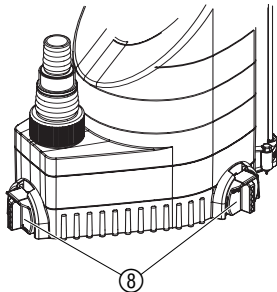


The pump remains in operation continuously. The **ON** sensor ③ is locked in manual position and bridged via the contact ⑦.

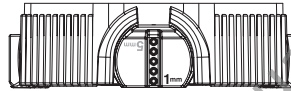
1. Push **OFF** sensor ④ and **ON** sensor ③ right down so that the **ON** sensor ③ touches the contact ⑦.
2. Stand the pump on a firm surface – or – use a rope attached through the bore hole in the carrying handle ⑤ to immerse the pump in a well or shaft.
3. Plug the power cable ⑥ into a mains socket.



### Only for the submersible pumps: Flat suction / Normal operation

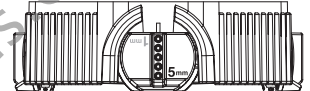


#### Flat suction:



→ Turn the 3 swivel feet ⑧ 180° to 1 mm.

#### Normal operation:



→ Turn the 3 swivel feet ⑧ 180° to 5 mm.

The residual water level of approx. 1 mm is only reached during flat suction in the manual operation mode.

## 5. Putting into Storage

### Frost-free storage:



→ Store the pump away from frost before the first frost sets in.

### Disposal: (in accordance with RL 2002/96/EC)



The product must not be added to normal household waste. It must be disposed of in line with local environmental regulations.  
→ Important: Make sure that the unit is disposed of via your municipal recycling collection centre.

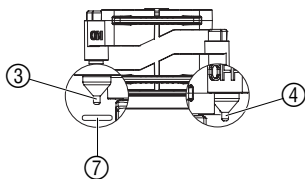
## 6. Maintenance

### Flushing the Pump:

The pumps are virtually maintenance-free.

After having pumped chlorinated swimming pool water or other liquids leaving residues, the pump should be rinsed with clear water.

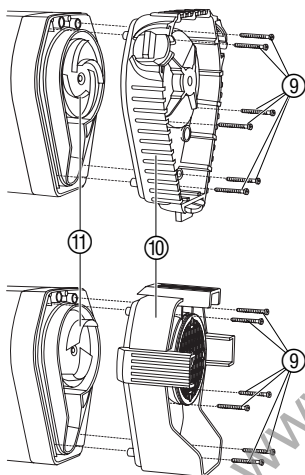
### Clean sensors:



**The sensors will only work reliably if they are cleaned regularly (at least every 2 months)!**

→ Clean the sensors ③ / ④ and contact ⑦ regularly with a dry cloth (do not use hard or sharp objects).

### Cleaning the suction base and impeller:



**DANGER! Electric shock!**

**Risk of injury due to electric shock.**

→ **Disconnect the pump from the mains before cleaning the suction base and impeller.**

1. Unscrew the 6 Phillips screws ⑨ and pull the suction base ⑩ off the pump.
2. Clean suction base ⑩ and impeller ⑪.
3. Reinstall the suction base ⑩ and screw in the Phillips screws ⑨.

**For safety reasons a damaged impeller ⑪ can only be exchanged by the GARDENA Service Centre.**

## 7. Troubleshooting

| Problem                                      | Probable cause                     | Remedy  |
|--|------------------------------------|---|
| <b>Pump is running, but doesn't deliver.</b> | Air cannot escape.                 | → Open pressure line.<br>→ Remove the non-return valve.   |
|  | Non-return valve inserted wrongly. | → Insert the non-return valve with the word UP on top.  |
|  | Air locks in the suction base.     | → Wait for max. 60 seconds until the pump deaerates automatically over the vent valve. If necessary, switch off and start it again. |
|  | Impeller clogged.                  | → Disconnect plug and clean impeller (see 6. Maintenance).  |

| Problem   | Probable cause   | Remedy   |
|---|--|--|
| <b>Pump is running, but doesn't deliver.</b>  | When starting the pump, water height falls below the min. water level. | → Submerge pump deeper.  |
| <b>The pump does not switch on or off. Pump switches off although the OFF sensor is in the water.</b> | Sensors ③ / ④ and contacts ⑦ are dirty.                                | → Clean sensors (see 6. Maintenance).  |
| <b>Pump doesn't start or suddenly stops during operation.</b>   | Thermal overload switch has switched the pump off due to overheating.  | → Disconnect plug and clean impeller (see 6. Maintenance).<br>Observe max. media temperature of 35 °C. |
|   | No power.  | → Check fuses and electric connections.  |
|   | Dirt particles are jammed in the suction base.                         | → Disconnect plug and clean suction base (see 6. Maintenance).   |
| <b>Pump runs, but output suddenly decreases.</b>  | Suction base is clogged.   | → Disconnect plug and clean suction base (see 6. Maintenance).   |



In the event of other faults please contact GARDENA Service.  
Repairs should only be carried out by GARDENA service centres or dealers authorised by GARDENA.

## 8. Technical Data

| Type  | Submersible pumps<br>aquaSensor           |                      | Dirty water pumps<br>aquaSensor |                      |
|---|---|----------------------|---------------------------------|----------------------|
|   | 9000<br>(Art. 1783)                       | 13000<br>(Art. 1785) | 8500<br>(Art. 1797)             | 13000<br>(Art. 1799) |
| Rated power                                   | 320 W                                     | 650 W                | 380 W                           | 680 W                |
| Max. delivery capacity                        | 9,000 l/h                                 | 13,000 l/h           | 8,300 l/h                       | 13,000 l/h           |
| Max. pressure                                 | 0.7 bar                                   | 0.8 bar              | 0.6 bar                         | 0.9 bar              |
| Max. delivery height                          | 7 m                                       | 8 m                  | 6 m                             | 9 m                  |
| Max. submersion depth                         | 8 m                                       | 8 m                  | 8 m                             | 8 m                  |
| Residual water level                          | 1 mm                                      | 1 mm                 | 35 mm                           | 35 mm                |
| Contaminated water with particle size of max. | 5 mm                                      | 5 mm                 | 30 mm                           | 30 mm                |
| Power cable                                   | 10 m H05 RNF                              | 10 m H07 RNF         | 10 m H05 RNF                    | 10 m H07 RNF         |
| Pump connection                               | universal (G 1 1/4" M) / universal nipple |                      |                                 |                      |
| Min. water level for operation                | 5 mm                                      | 5 mm                 | 45 mm                           | 45 mm                |
| Weight approx. (without cable)                | 3.8 kg                                    | 5.4 kg               | 4.0 kg                          | 5.6 kg               |
| Max. media temperature                        | 35 °C                                     | 35 °C                | 35 °C                           | 35 °C                |
| Mains voltage / mains frequency               | 230 V / 50 Hz                             | 230 V / 50 Hz        | 230 V / 50 Hz                   | 230 V / 50 Hz        |



| Type                      | 9000          | 13000         | 8500           | 13000          |
|---------------------------|---------------|---------------|----------------|----------------|
| Min./max. cut-in height   | 5 mm / 175 mm | 5 mm / 210 mm | 65 mm / 230 mm | 70 mm / 265 mm |
| Min./max. cut-out height  | 3 mm / 170 mm | 3 mm / 205 mm | 40 mm / 225 mm | 40 mm / 260 mm |
| Noise level $L_{WA}^{1)}$ | 48 dB(A)      | 55 dB(A)      | 55 dB(A)       | 55 dB(A)       |

1) Measuring method according to EN 60335-1

### ***Cut-in / Cut-out height***

The cut-in and cut-out height varies.

#### **Only for the submersible pumps Art. No. 1783 / 1785:**

The residual water height (flat suction down to approx. 1 mm) is only reached during manual operation with the swivel feet ③ turned to 1 mm (see 4. Operation).

## **9. Service / Warranty**

GARDENA guarantees this product for 2 years (from date of purchase). This guarantee covers all serious defects of the unit that can be proved to be material or manufacturing faults. Under warranty we will either replace the unit or repair it free of charge if the following conditions apply:

- The unit must have been handled properly and in keeping with the requirements of the operating instructions.
- Neither the purchaser or a non-authorized third party have attempted to repair the unit.

The impeller is a wearing part and is not covered by the guarantee.

This manufacturer's guarantee does not affect the user's existing warranty claims against the dealer/seller.

If you have any problems with your submersible pump or dirty water pump, please contact our Service or return the defective unit together with a short description of the problem – in case of guarantee, with a copy of the receipt – postage paid to one of the GARDENA Service Centres listed on the back of this leaflet.

## Kennlinien

### Tauchpumpen

Performance characteristics  
Submersible Pumps

Courbes de performance  
Pompes d'évacuation  
pour eaux claires

Prestatiegrafiek  
Dompelpompen

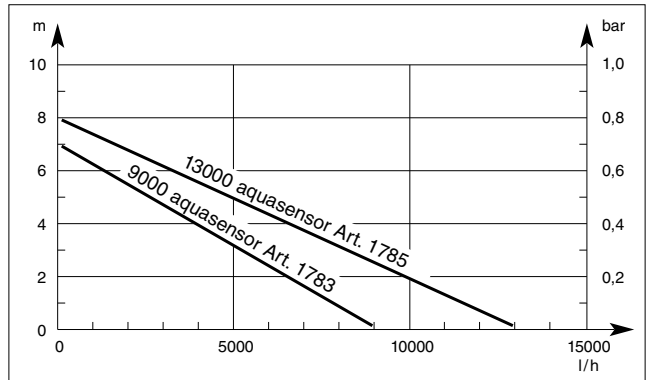
Kapacitetskurva  
Dränkbar pump

Curva di rendimento per  
Pompe sommerse

Curva característica de las  
Bombas sumergibles

Características de performance  
das Bombas submersíveis

Ydelses karakteristika  
Dykpumpe



Die Kennlinien wurden mit einem 38 mm (1 1/2")-Schlauch ermittelt.

The performance characteristics were determined with a 38 mm (1 1/2") hose

Les performances ont été déterminées avec un tuyau de Ø 38 mm (1 1/2").

De gegevens in de grafiek zijn gebaseerd op gebruik met een 38 mm (1 1/2")-slang.

Kapacitetsvärdena ovan är uppmätta med 38 mm (1 1/2") slang.

Le prestazioni indicate nella curva di rendimento presuppongono l'impiego di un tubo da 38 mm (1 1/2").

Los datos de rendimiento de la curva característica se han medido con una manguera de 38 mm (1 1/2").

A informação técnica com as características de performance acima descritas foi obtida com uma mangueira de 38 mm (1 1/2").

Tekniske data for de ovennævnte ydelses karakteristika er målt ved en slange på 38 mm (1 1/2").

## Kennlinien

### Schmutzwasserpumpen

Performance characteristics  
Dirty Water Pumps

Courbes de performance  
Pompes d'évacuation  
pour eaux chargées

Prestatiegrafiek  
Vuilwaterpompen

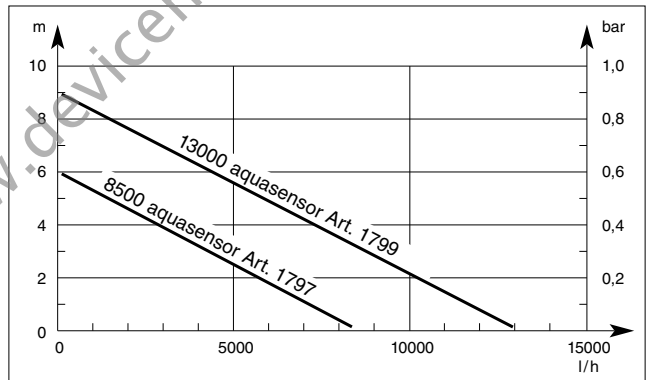
Kapacitetskurva  
Spillvattenpump

Curva di rendimento per Pompe  
sommerse per acqua sporca

Curva característica de las  
Bombas para aguas sucias

Características de performance  
das Bombas para águas sujas

Ydelses karakteristika  
Dykpumpe til urent vand



Die Kennlinien wurden mit einem 38 mm (1 1/2")-Schlauch ermittelt.

The performance characteristics were determined with a 38 mm (1 1/2") hose

Les performances ont été déterminées avec un tuyau de Ø 38 mm (1 1/2").

De gegevens in de grafiek zijn gebaseerd op gebruik met een 38 mm (1 1/2")-slang.

Kapacitetsvärdena ovan är uppmätta med 38 mm (1 1/2") slang.

Le prestazioni indicate nella curva di rendimento presuppongono l'impiego di un tubo da 38 mm (1 1/2").

Los datos de rendimiento de la curva característica se han medido con una manguera de 38 mm (1 1/2").

A informação técnica com as características de performance acima descritas foi obtida com uma mangueira de 38 mm (1 1/2").

Tekniske data for de ovennævnte ydelses karakteristika er målt ved en slange på 38 mm (1 1/2").

|   |   |
|---|---|
| <p><b>D</b> <i>Produkthftung</i></p>                    | <p>Wir weisen ausdrücklich darauf hin, dass wir nach dem Produkthaftungsgesetz nicht für durch unsere Geräte hervorgerufene Schäden einzustehen haben, sofern diese durch unsachgemäße Reparatur verursacht oder bei einem Teileaustausch nicht unsere Original GARDENA Teile oder von uns freigegebene Teile verwendet werden und die Reparatur nicht vom GARDENA Service oder dem autorisierten Fachmann durchgeführt wird. Entsprechendes gilt für Ergänzungssteile und Zubehör.</p>   |
| <p><b>GB</b> <i>Product Liability</i></p>               | <p>We expressly point out that, in accordance with product liability law, we are not liable for any damage caused by our units if it is due to improper repair or if parts exchanged are not original GARDENA parts or parts approved by us, and, if the repairs were not carried out by a GARDENA Service Centre or an authorised specialist. The same applies to spare parts and accessories.</p>   |
| <p><b>F</b> <i>Responsabilité</i></p>                   | <p>Nous vous signalons expressément que GARDENA n'est pas responsable des dommages causés par ses appareils, dans la mesure où ces dommages seraient causés suite à une réparation non conforme, dans la mesure où, lors d'un échange de pièces, les pièces d'origine GARDENA n'auraient pas été utilisées, ou si la réparation n'a pas été effectuée par le Service Après-Vente GARDENA ou l'un des Centres SAV agréés GARDENA. Ceci est également valable pour tout ajout de pièces et d'accessoires autres que ceux préconisés par GARDENA.</p>  |
| <p><b>NL</b> <i>Productaansprakelijkheid</i></p>        | <p>Wij wijzen er nadrukkelijk op, dat wij op grond van de wet aansprakelijkheid voor producten niet aansprakelijk zijn voor schade ontstaan door onze apparaten, indien deze door onvakkundige reparatie veroorzaakt zijn, of er bij het uitwisselen van onderdelen geen gebruik gemaakt werd van onze originele GARDENA onderdelen of door ons vrijgegeven onderdelen en de reparatie niet door de GARDENA technische dienst of de bevoegde vakman uitgevoerd werd. Ditzelfde geldt voor extra-onderdelen en accessoires.</p>                      |
| <p><b>S</b> <i>Produktansvar</i></p>                    | <p>Tillverkaren är inte ansvarig för skada som orsakats av produkten om skadan beror på att produkten har reparerats felaktigt eller om, vid reparation eller utbyte, andra än Original GARDENA reservdelar har använts. Samma sak gäller för kompletteringsdelar och tillbehör.</p>  |
| <p><b>I</b> <i>Responsabilità del prodotto</i></p>      | <p>Si rende espressamente noto che, conformemente alla legislazione sulla responsabilità del prodotto, non si risponde di danni causati da nostri articoli se originati da riparazioni eseguite non correttamente o da sostituzioni di parti effettuate con materiale non originale GARDENA o comunque da noi non approvato e, in ogni caso, qualora l'intervento non venga eseguito da un centro assistenza GARDENA o da personale specializzato autorizzato. Lo stesso vale per le parti complementari e gli accessori.</p>                       |
| <p><b>E</b> <i>Responsabilidad de productos</i></p>     | <p>Advertimos que conforme a la ley de responsabilidad de productos no nos responsabilizamos de daños causados por nuestros aparatos, siempre y cuando dichos daños hayan sido originados por arreglos o reparaciones indebidas, por recambios con piezas que no sean piezas originales GARDENA o bien piezas autorizadas por nosotros, así como en aquellos casos en que la reparación no haya sido efectuada por un Servicio Técnico GARDENA o por un técnico autorizado. Lo mismo es aplicable para las piezas complementarias y accesorios.</p> |
| <p><b>P</b> <i>Responsabilidade sobre o produto</i></p> | <p>Queremos salientar que segundo a lei da responsabilidade do fabricante, nós não nos responsabilizaremos por danos causados pelo nosso equipamento, quando estes ocorram em decorrência de reparações inadequadas ou da substituição de peças por peças não originais da GARDENA, ou peças não autorizadas. A responsabilidade tornar-se-à nula também depois de reparações realizadas por oficinas não autorizadas pela GARDENA. Esta restrição valerá também para peças adicionais e acessórios.</p>  |
| <p><b>DK</b> <i>Produktansvar</i></p>                   | <p>Vi gør udtrykkeligt opmærksom på at i henhold til produktansvarsloven er vi ikke ansvarlige for skader forårsaget af vores udstyr, hvis det skyldes uautoriserede reparationer eller hvis dele er skiftet ud og der ikke er anvendt originale GARDENA dele eller dele godkendt af os, eller hvis reparationerne ikke er udført af GARDENA-service eller en autoriseret fagmand. Det samme gælder for ekstra udstyr og tilbehør.</p>  |

|   |  |
|---|--|
| <p><b>D EU-Konformitätserklärung</b><br/> <b>Maschinenverordnung (9. GSGVO) / EMVG / Niedersp. RL</b><br/> Der Unterzeichnete GARDENA Manufacturing GmbH, Hans-Lorenser-Str. 40, D-89079 Ulm, bestätigt, dass das nachfolgend bezeichnete Gerät in der von uns in Verkehr gebrachten Ausführung die Anforderungen der harmonisierten EU-Richtlinien, EU-Sicherheitsstandards und produktspezifischen Standards erfüllt. Bei einer nicht mit uns abgestimmten Änderung des Geräts verliert diese Erklärung ihre Gültigkeit.</p>                                  | Bezeichnung des Gerätes: Tauchpumpe / Schmutzwasserpumpe<br>Description of the unit: Submersible Pump / Dirty Water Pump<br>Désignation du matériel : Pompe d'évacuation pour eaux claires / Pompe d'évacuation pour eaux chargées<br>Omschrijving van het apparaat: Dompelpomp / Vuilwaterpomp<br>Produktbeskrivning: Dränkbar pump / Spillvattenpump<br>Descrizione del prodotto: Pompa sommersa / Pompa sommersa per acqua sporca<br>Descripción de la mercancía: Bomba sumergible / Bomba para aguas sucias<br>Descrição do aparelho: Bomba submersível / Bomba para águas sujas<br>Beskrivelse af enhederne: Dykpumpe / Dykpumpe til urent vand |
| <p><b>GB EU Certificate of Conformity</b><br/> The undersigned GARDENA Manufacturing GmbH, Hans-Lorenser-Str. 40, D-89079 Ulm, hereby certifies that, when leaving our factory, the unit indicated below is in accordance with the harmonised EU guidelines, EU standards of safety and product specific standards. This certificate becomes void if the unit is modified without our approval.</p>   |  |
| <p><b>F Certificat de conformité aux directives européennes</b><br/> Le constructeur, soussigné : GARDENA Manufacturing GmbH, Hans-Lorenser-Str. 40, D-89079 Ulm, déclare qu'à la sortie de ses usines le matériel neuf désigné ci-dessous était conforme aux prescriptions des directives européennes énoncées ci-après et conforme aux règles de sécurité et autres règles qui lui sont applicables dans le cadre de l'Union européenne. Toute modification portée sur ce produit sans l'accord express de GARDENA supprime la validité de ce certificat.</p> | Typ: Art.-Nr.:<br>Type: aquasensor 9000 Art. No.: 1783<br>Type : Référence :<br>Typ: aquasensor 13000 Art. nr.: 1785<br>Type: Art.nr. :<br>Modello: aquasensor 8500 Art. : 1797<br>Tipo: Art. Nº:<br>Tipo: aquasensor 13000 Art. Nº: 1799<br>Type: Varenr. :   |
| <p><b>NL EU-overeenstemmingsverklaring</b><br/> Ondergetekende GARDENA Manufacturing GmbH, Hans-Lorenser-Str. 40, D-89079 Ulm, bevestigt, dat het volgende genoemde apparaat in de door ons in de handel gebrachte uitvoering voldoet aan de eis van, en in overeenstemming is met de EU-richtlijnen, de EU-veiligheidsstandaard en de voor het product specifieke standaard. Bij een niet met ons afgestemde verandering aan het apparaat verliest deze verklaring haar geldigheid.</p>  | EU-Richtlijnen: 98/37/EC : 1998<br>EU directives:<br>Directives européennes : 2006/42/EC : 2006<br>EU-richtlijnen:<br>EU direktiv: 2004/108/EC<br>Directive UE:<br>Normativa UE: 93/68/EC<br>Directrices da UE:<br>EU Retningslinier: 2006/95/EC   |
| <p><b>S EU Tillverkarintyg</b><br/> Undertecknad firma GARDENA Manufacturing GmbH, Hans-Lorenser-Str. 40, D-89079 Ulm, intygar härmed att nedan nämnda produkter överensstämmer med EU:s direktiv, EU:s säkerhetsstandard och produktspecifikation. Detta intyg upphör att gälla om produkten ändras utan vårt tillstånd.</p>   |  |
| <p><b>I Dichiarazione di conformità alle norme UE</b><br/> La sottoscritta GARDENA Manufacturing GmbH, Hans-Lorenser-Str. 40, D-89079 Ulm, certifica che il prodotto qui di seguito indicato, nei modelli da noi commercializzati, è conforme alle direttive armonizzate UE nonché agli standard di sicurezza e agli standard specifici di prodotto. Qualunque modifica apportata al prodotto senza nostra specifica autorizzazione invalida la presente dichiarazione.</p>   | Harmonisierte EN: EN ISO 12100-1<br>EN ISO 12100-2<br>EN 60335-1<br>EN 60335-2-41  |
| <p><b>E Declaración de conformidad de la UE</b><br/> El que suscribe GARDENA Manufacturing GmbH, Hans-Lorenser-Str. 40, D-89079 Ulm, declara que la presente mercancía, objeto de la presente declaración, cumple con todas las normas de la UE, en lo que a normas técnicas, de homologación y de seguridad se refiere. En caso de realizar cualquier modificación en la presente mercancía sin nuestra previa autorización, esta declaración pierde su validez.</p>   | Anbringningsjahr der CE-Kennzeichnung:<br>Year of CE marking:<br>Date d'apposition du marquage CE :<br>Installatiejaar van de CE-aanduiding :<br>CE-Märkningsår: 2007<br>Anno di rilascio della certificazione CE:<br>Colocación del distintivo CE:<br>Ano de marcação pela CE:<br>CE-Mærkningsår:   |
| <p><b>P Certificado de conformidad da UE</b><br/> Os abaixo mencionados GARDENA Manufacturing GmbH, Hans-Lorenser-Str. 40, D-89079 Ulm, por este meio certificam que ao sair da fábrica o aparelho abaixo mencionado está de acordo com as direttrizes harmonizadas da UE, padrões de segurança e de produtos específicos. Este certificado ficará nulo se a unidade for modificada sem a nossa aprovação.</p>  | Ulm, den 01.07.2007<br>Ulm, 01.07.2007<br>Fait à Ulm, le 01.07.2007<br>Ulm, 01-07-2007<br>Ulm, 2007.01.07.<br>Ulm, 01.07.2007<br>Ulm, 01.07.2007<br>Ulm, 01.07.2007<br>Ulm, 01.07.2007<br>Ulm, 01.07.2007<br>Der Bevollmächtigte<br>Authorised representative<br>Représentant légal<br>Gemachtigde<br>Behörig Firmatecknare<br>Rapresentante autorizzato<br>Representante autorizado<br>Representante autorizado<br>Teknisk direktör   |
| <p><b>DK EU Overensstemmelse certificat</b><br/> Undertegnede GARDENA Manufacturing GmbH, Hans-Lorenser-Str. 40, D-89079 Ulm bekræfter hermed, at enheder listet herunder, ved afsendelse fra fabrikken, er i overensstemmelse med harmoniserede EU retningslinier, EU sikkerhedsstandarder og produktspecifikationsstandarder. Dette certifikat træder ud af kraft hvis enhederne er ændret uden vor godkendelse.</p>  | <br>Peter Lameli<br>Vice President  |

**Deutschland / Germany**

GARDENA  
Manufacturing GmbH  
Central Service  
Hans-Lorenser-Straße 40  
D-89079 Ulm  
Produktfragen:  
(+49) 731 490-123  
Reparaturen:  
(+49) 731 490-290  
service@gardena.com

**Argentina**

Argensem® S.A.  
Calle Colonia Japonesa s/n  
(1625) Loma Verde  
Escobar, Buenos Aires  
Phone: (+54) 34 88 49 40 40  
info@argensem.com.ar

**Australia**

Nylex Consumer Products  
50-70 Stanley Drive  
Somerton, Victoria, 3062  
Phone: (+61) 1800 658 276  
spare.parts@nylex.com.au

**Austria / Österreich**

GARDENA  
Österreich Ges.m.b.H.  
Stettnerweg 11-15  
2100 Korneuburg  
Tel.: (+43) 22 62 7 45 45 36  
kundendienst@gardena.at

**Belgium**

GARDENA Belgium NV/SA  
Sterrebeekstraat 163  
1930 Zaventem  
Phone: (+32) 2 7 20 92 12  
Mail: info@gardena.be

**Brazil**

Palash Comércio e  
Importação Ltda.  
Rua São João do Araguaia,  
338 – Jardim Califórnia –  
Barueri – SP – Brasil –  
CEP 06409-060  
Phone: (+55) 11 4198-9777  
eduardo@palash.com.br

**Bulgaria**

Хускварна България ЕООД  
1799 София  
Бул. „Андрей Ляпчев“ № 72  
Тел.: 02/ 8755148, 9753076  
www.husqvarna.bg

**Canada**

GARDENA Canada Ltd.  
100 Summerlea Road  
Brampton, Ontario L6T 4X3  
Phone: (+1) 905 792 9330  
info@gardenacanada.com

**Chile**

Antonio Martinic y Cia Ltda.  
Cassillas 272  
Centro de Cassillas  
Santiago de Chile  
Phone: (+56) 2 20 10 708  
garfar\_cl@yahoo.com

**Costa Rica**

Compania Exim  
Euroberoamericana S.A.  
Los Colegios, Moravia,  
200 metros al Sur del Colegio  
Saint Francis - San José  
Phone: (+506) 297 68 83  
exim\_euro@racsa.co.cr

**Croatia**

KLIS d.o.o.  
Stanciceva 79  
10419 Vukovina  
Phone: (+385) 1 622 777 0  
gardena@klis-trgovina.hr

**Cyprus**

FARMOKIPIKI LTD  
P.O. Box 7098  
74, Digeni Akritra Ave.  
1641 Nicosia  
Phone: (+357) 2275 47 62  
condam@spidernet.com.cy

**Czech Republic**

GARDENA spol. s r.o.  
Tuřanka 115  
627 00 Brno  
Phone: (+420) 800 100 425  
gardena@gardenabrno.cz

**Denmark**

GARDENA Norden AB  
Salgsafdeling Danmark  
Box 9003  
S-200 39 Malmö  
info@gardena.dk

**Finland**

Oy Husqvarna Ab  
Lautatarhankatu 8b/ PL 3  
FI-00581 HELSINKI

**France**

GARDENA  
PARIS NORD 2  
69, rue de la Belle Etoile  
BP 57080  
ROISSY EN FRANCE  
95948 ROISSY CDG CEDEX  
Tél. (+33) 0826 101 455  
service.consommateurs@  
gardena.fr

**Great Britain**

Husqvarna UK Ltd  
Preston Road  
Aycliffe Industrial Park  
Newton Aycliffe  
County Durham  
DL5 6UP  
info.gardena@husqvarna.co.uk

**Greece**

Agrokrip  
Psomadopoulos S.A.  
Ifaistou 33A  
Industrial Area Koropi  
194 00 Athens Greece  
V.A.T. EL093474846  
Phone: (+30) 210 6620 225  
service@agrokrip.gr

**Hungary**

GARDENA  
Magyarország Kft.  
Késmárk utca 22  
1158 Budapest  
Phone: (+36) 80 20 40 33  
gardena@gardena.hu

**Iceland**

Ó. Johnson & Kaaber  
Tunguhalsi 1  
110 Reykjavik  
ooj@ojk.is

**Ireland**

Michael McLoughlin & Sons  
Hardware Limited  
Long Mile Road  
Dublin 12

**Italy**

GARDENA Italia S.p.A.  
Via Donizetti 22  
20020 Lainate (Mi)  
Phone: (+39) 02.93.94.79.1  
info@gardenaitalia.it

**Japan**

KAKUICHI Co. Ltd.  
Sumitomo Realty &  
Development Kojimachi  
BLDG., 8F  
5-1 Nibanncyo, Chiyoda-ku  
Tokyo 102-0084  
Phone: (+81) 33 264 4721  
m\_ishihara@kaku-ichi.co.jp

**Luxembourg**

Magasins Jules Neuberg  
39, rue Jacques Stas  
Luxembourg-Gasperich 2549  
Case Postale No. 12  
Luxembourg 2010  
Phone: (+352) 40 14 01  
api@neuberg.lu

**Netherlands**

GARDENA Nederland B.V.  
Postbus 50176  
1305 AD ALMERE  
Phone: (+31) 36 521 00 00  
info@gardena.nl

**Neth. Antilles**

Jonka Enterprises N.V.  
Sta. Rosa Weg 196  
P.O. Box 8200, Curaçao  
Phone: (+599) 9 767 66 55  
pgm@jonka.com

**New Zealand**

NYLEX New Zealand Limited  
Building 2, 118 Savill Drive  
Mangere, Auckland  
Phone: (+64) 0800 22 00 88  
spare.parts@nylex.com.au

**Norway**

GARDENA Norden AB  
Salgskontor Norge  
Kleverveien 6  
1540 Vestby  
info@gardena.no

**Poland**

GARDENA Polska Sp. z o.o.  
Szymanów 9 d  
05-532 Baniochka  
Phone: (+48) 22 727 56 90  
gardena@gardena.pl

**Portugal**

GARDENA Portugal Lda.  
Sintra Business Park  
Edifício 1, Fração 0-G  
2710-089 Sintra  
Phone: (+351) 21 922 85 30  
info@gardena.pt

**Romania**

MADEX INTERNATIONAL SRL  
Soseaua Odaii 117-123,  
Sector 1,  
București, RO 013603  
Phone: (+40) 21 352 76 03  
madex@ines.ro

**Russia / Россия**

ООО ГАРДЕНА РУС  
123007, г. Москва  
Хорошевское шоссе, д. 32А  
Тел.: (+7) 495 540 99 57  
info@gardena-rus.ru

**Singapore**

Hy-Ray PRIVATE LIMITED  
40 Jalan Pemimpin  
#02-08 Tat Ann Building  
Singapore 577185  
Phone: (+65) 6253 2277  
hyray@singnet.com.sg

**Slovak Republic**

GARDENA Slovensko, s.r.o.  
Panónska cesta 17  
851 04 Bratislava  
Phone: (+421) 263 453 722  
info@gardena.sk

**Slovenia**

GARDENA d.o.o.  
Brodišče 15  
1236 Trzin  
Phone: (+386) 1 580 93 32  
servis@gardena.si

**South Africa**

GARDENA  
South Africa (Pty.) Ltd.  
P.O. Box 11534  
Vorna Valley 1866  
Phone: (+27) 11 315 02 23  
sales@gardena.co.za

**Spain**

GARDENA IBÉRICA S.L.U.  
C/ Basauri, nº 6  
La Florida  
28023 Madrid  
Phone: (+34) 91 708 05 00  
atencioncliente@gardena.es

**Sweden**

GARDENA Norden AB  
Försäljningskontor Sverige  
Box 9003  
200 39 Malmö  
info@gardena.se

**Switzerland / Schweiz**

GARDENA (Schweiz) AG  
Bitzberg 1  
8184 Bächenbülach  
Phone: (+41) 848 800 464  
info@gardena.ch

**Turkey**

GARDENA / Dost Diş Ticaret  
Müessesilik A.Ş. Sanayi  
Çad. Adil Sokak No. 1  
Kartal - İstanbul  
Phone: (+90) 216 38 93 939  
info@gardena-dost.com.tr

**Ukraine / Україна**

ALTSEST JSC  
4 Petropavlivska Street  
Petropavlivska  
Borschahivka Town  
Kyivo Svyatoshyn Region  
08130, Ukraine  
Phone: (+380) 44 459 57 03  
uprr@altsest.kiev.ua

**USA**

Melnor Inc.  
3085 Shawnee Drive  
Winchester, VA 22604  
Phone: (+1) 540 722-9080  
service\_us@melnor.com

1783-20.960.04/0208  
© GARDENA  
Manufacturing GmbH  
D-89070 Ulm  
http://www.gardena.com